

VS1000 RTe

PRODUCT SHEET (ERV)

VENTACITY SYSTEMS
—◆—
ALWAYS HEALTHY • ALWAYS EFFICIENT™

The Ventacity VS1000 RTe is an ultra efficient enthalpy recovery ventilator (ERV) and intelligent dedicated outdoor air system (DOAS). With a rugged design for both rooftop or mechanical room installation, it optimizes healthy indoor air quality while minimizing building energy usage. It is suitable for various commercial applications, including retail spaces, offices, restaurants, schools, public spaces and even multifamily residential buildings.



A part of the

HVAC²

NEXTGEN BUILDING SYSTEM™

Our ventilation equipment connects seamlessly to our building controls and cloud-based user interface to take HVAC systems to the next level of energy efficiency and control. We call this new system HVAC².

1-888-VENTIL8 (888-836-8458)
ventacity.com

VS1000 RTe

PRODUCT SHEET (ERV)

PERFORMANCE



Exceptional energy efficiency performance puts the VS1000 RTe in a class by itself.

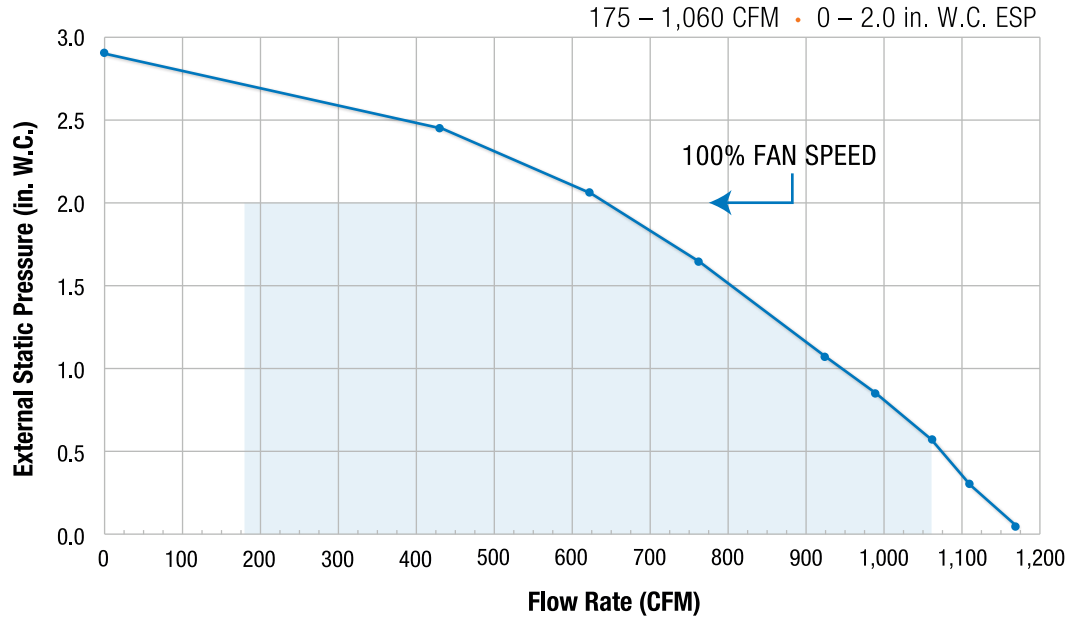


With its polymer counterflow heat exchanger core, the VS1000 RTe transfers 70% to 87% of the heat between fresh and exhaust air streams.



Our fans incorporate electronically commutated motors (ECMs) and backward curving composite fan blades, reducing the power required for air movement.

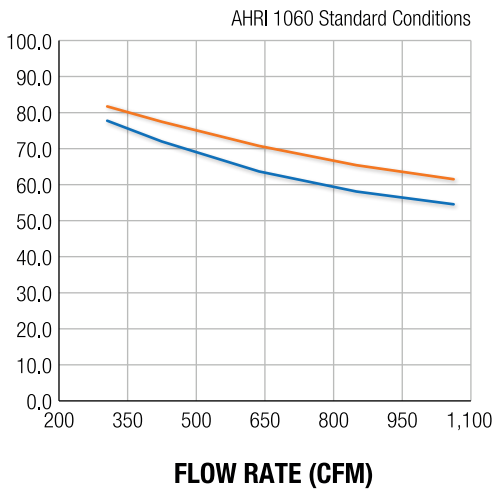
SYSTEM RANGE



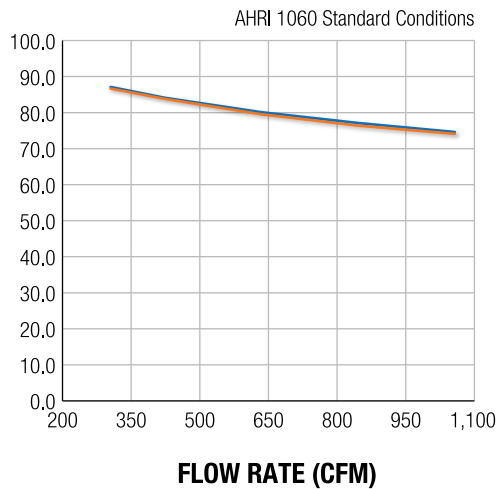
FAN VOLUME & POWER RANGE

Ext. Static Pressure (in. W.C.)	0.5	0.75	1	1.25	1.5	1.75
Maximum Flow (CFM)	1,060	1,000	970	970	830	735
System Power (Watts)	878	918	906	888	878	859

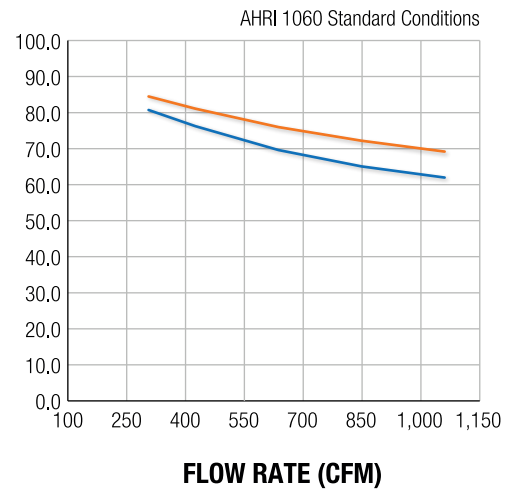
LATENT EFFICIENCY



SENSIBLE EFFICIENCY



TOTAL EFFICIENCY



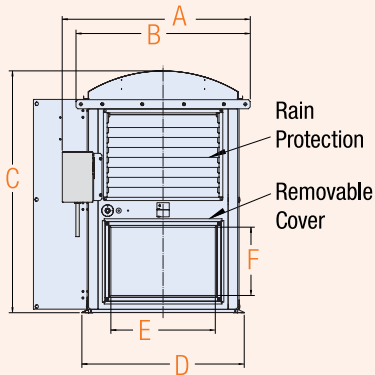
Heating Mode Cooling Mode

Heating Mode Cooling Mode

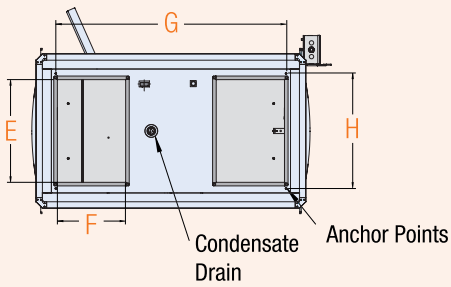
Heating Mode Cooling Mode

VS1000 RTe

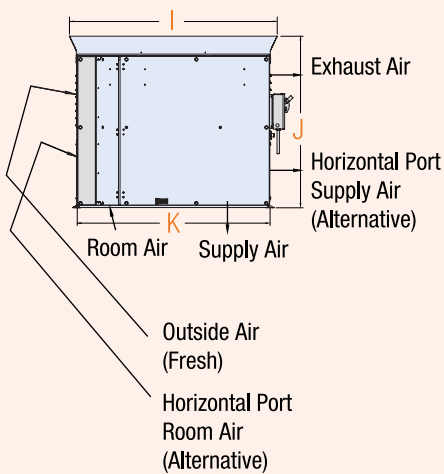
DIMENSIONS



A	40.8"
B	37.8"
C	52.5"
D	35.2"
E	23.5"
F	15.6"

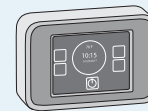
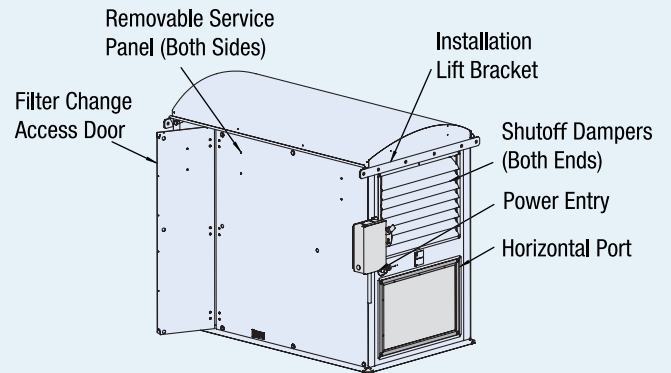
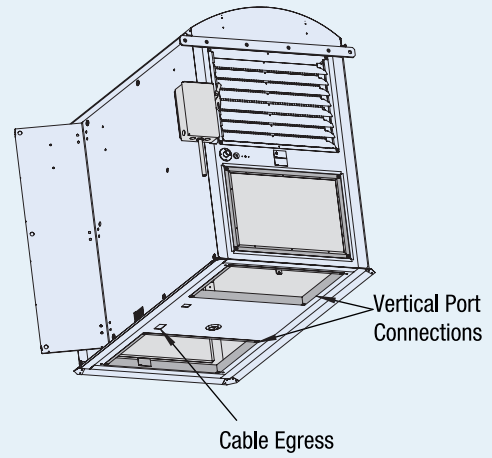


E	23.5"
F	15.6"
G	52.8"
H	26.3"



I	63.6"
J	52.5"
K	59.0"

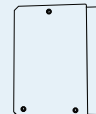
PARTS



Control Panel



Condensate Drain Trap

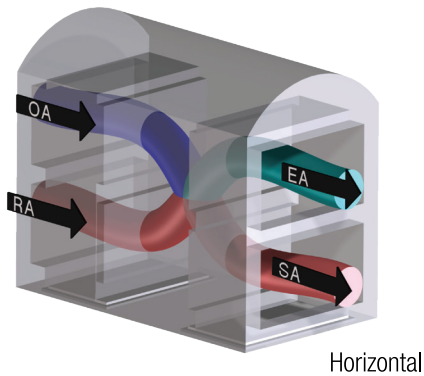
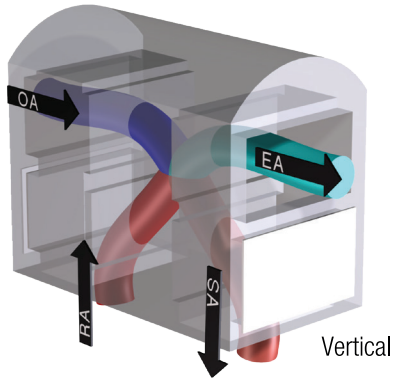


Power Disconnect Bracket

VS1000 RTe

PRODUCT SHEET (ERV)

PORT CONFIGURATIONS



SUPPORTED ACCESSORIES

- Room CO₂ Sensor
- Duct CO₂ Sensor
- Room RH Sensor
- VOC Sensor
- Smart Building Gateway

VENTACITY SYSTEMS
 ALWAYS HEALTHY • ALWAYS EFFICIENT™

2828 SW Corbett Ave, Suite 119
 Portland, OR 97201
 1-888-VENTIL8 (888-836-8458)
 ventacity.com

SPECIFICATIONS

Ventilation Flow – Max	1,060 cfm
Ventilation Flow – Typical	75 to 1,000 cfm
Ventilation Type	Enthalpy Recovery Ventilator (ERV)
Heat Exchanger	Counterflow Polymer Plate
Fan Type	Backward Curved, Centrifugal, EC
Heat Recovery – Max	87%
Temperature Range	-13° F to 140° F
Humidity – Inside Max	90% RH
Operation Modes	CAV, DCV, VAV, BMS, Economizer
Noise – Max	52.6 dBA
NRTL Test Specifications	UL1812, CSA C22.2 No. 113
Duct Connection	14" Dia. (154 in ²) Min.
Discharge Air Temperature Control	Continuously Variable Bypass

MECHANICAL

Weight	616 lbs
Shipping Weight	916 lbs
Dimensions	63.6" L x 35.2" W x 52.5" H
Shipping Dimensions	74" L x 45" W x 52" H
OA Filter (Actual Size)	17.5" L x 24.5" W x 3.75" H MERV13
RA Filter (Actual Size)	16.5" L x 24.5" W x 1.75" H MERV8
Base Anchor Dimension	26.3" x 52.8"
External Finish	Powder Coat Over Galvanized Steel

ELECTRICAL

Power Supply	6.9 kW
Voltage	240 VAC 1Φ, 208/240 VAC 3Φ, 60Hz
Phase	1
FLA – Max	30 A (1Φ)
De-Ice Preheater	6.0 kW
Fan Motor Type	EC
Maximum Power per Fan	485W (.65hp)

